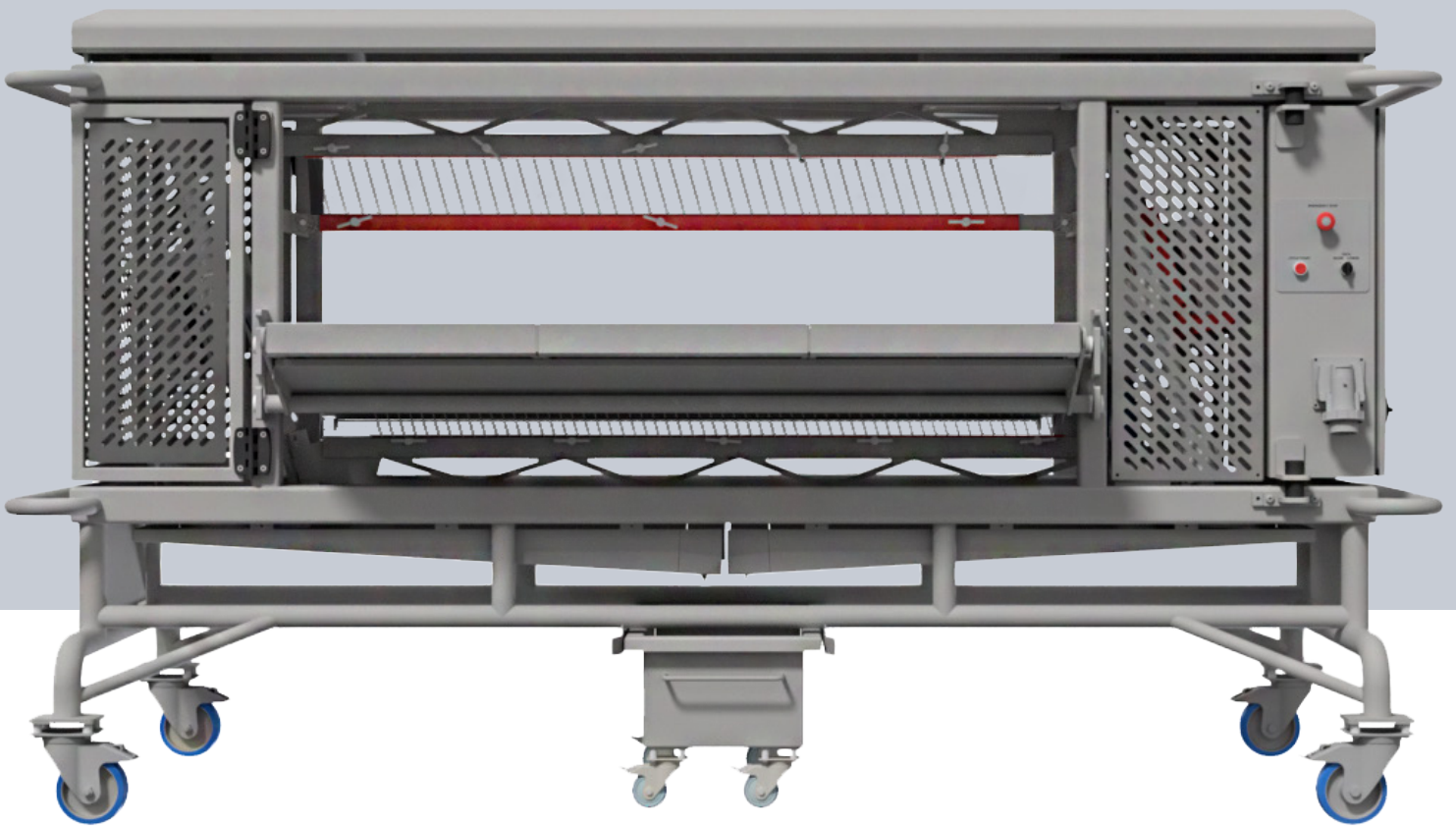


HSP9000

Piercing Perfection

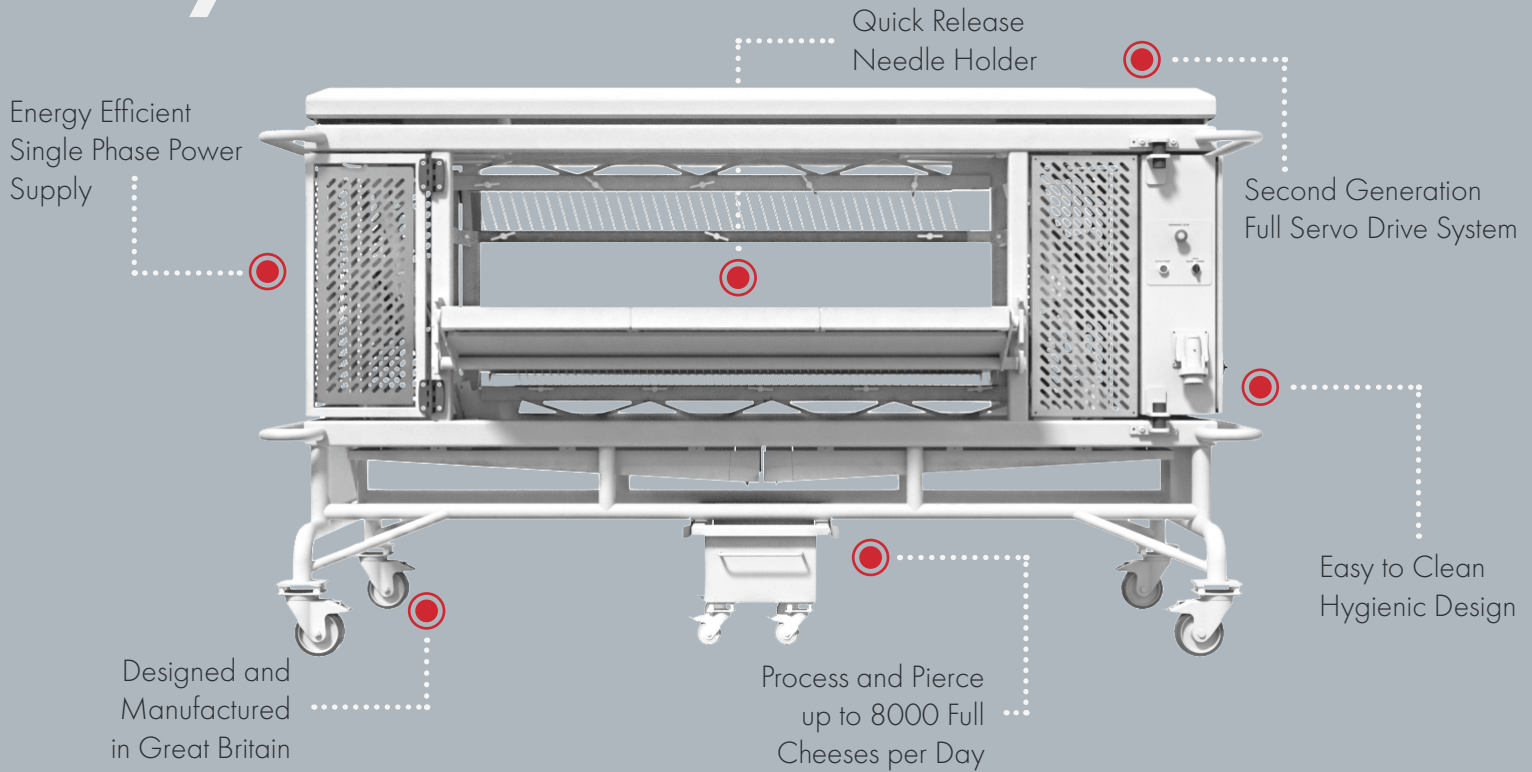


Introducing the HSP (High-Speed Piercer) 9000, the innovative answer to modern blue cheese manufacturing.

The HSP9000 is an advanced, patent pending, blue cheese processing solution, capable of piercing and producing up to 8000 full cheeses per day.

From Stilton to Gorgonzola, the HSP9000 offers cheese manufacturers industry leading efficiency without compromising on authenticity or product quality.

Key Benefits



01 02 03 Why HSP?

Authenticity
Respecting and honouring the traditional methodology and approaches to blue cheese piercing and production

Service
Building sustainable relationships, providing first-class service and delivering innovation to our customers worldwide.

Value
Providing cheese manufacturers with fast return on investments through improvements in efficiency and quality

HSP Worldwide

The HSP9000 is available worldwide, with complete turnkey services to make implementation easy and efficient for customers across the globe.

Maintenance

Keep your High Speed Piercer performing safely and efficiently with our robust maintenance and service solutions.

Support

Our multi-lingual customer service team are available 24 hours a day, 365 days a year, to answer any of your team's questions.

Installation

Installation and commissioning made simple when using our qualified and experienced installation engineers.

Training

Our knowledgeable machinery instructors will provide your team with the skills and knowledge to operate the HSP effectively.

The HSP9000 is Patent Pending



HSP, Pavilion Way,
 Hockey Close, Loughborough
LE11 5GW

T: 01509611235
E: enquiries@highspeedpiercer.com
W: www.highspeedpiercer.com